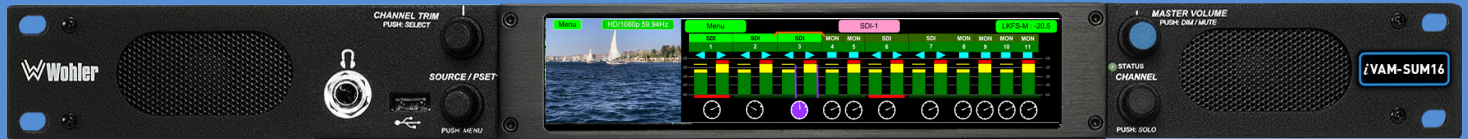


# iVAM1-SUM Series



3G-SDI & Analog Audio and Video Monitoring & Metering with Optional Signal Upgrades

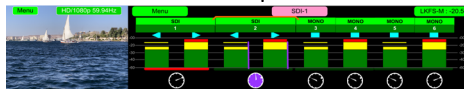
Shown with 16 channel metering



8 or 16 channel, single screen, 3G-SDI & Analog Audio and video monitor and Mixer with optional 2022-7 support, plus options to license additional input signals.



8 Channel Meters (artists impression)



The iVAM1-SUM Series is a set of well featured, easy to use and competitively priced IP ready audio and video monitors /mixers available in either 8 or 16 channel configurations. Whether monitoring 8 or 16 channels, the unit can be configured to operate in either single channel or pair mode. Standard features include 3G-SDI, an HDMI output, and a pair of Analog inputs and outputs. Upgrade/license other signal formats and processing options, as and when needed, either initially or after purchase.

**Flexible. Adaptable. Future Proof.**

Equally at home in QC, fast-paced OB and live-to-air production environments, iVAM1-SUM provides intuitive audio and video monitoring with instant access to signals or to user-definable presets of any individual signal source or a mix of sources for monitoring and mixing. Options for additional signals, include AES3, MADI, Dante™, Ravenna™, SMPTE-2110 and SMPTE-2022-7.

All iVAM Series monitors contain an onboard web server. Multiple units on the same network can be updated, monitored, and controlled via a web-based user interface.

**Features/Benefits:**

- Fast selection and summing of up to 8 or 16 audio channels with video, allowing quick muting and hold-for-solo. Video display includes resolution indication and HDR detection
- Up to 64 presets
- Virtual rotary dials showing trim levels
- Access control with lockout prevents accidental or unauthorized changing of critical settings
- 2 x 3G-SDI Inputs on BNC; 1 x 3G-SDI Output on BNC + 1 pair Analog in/out on XLR
- Optional Output routing enables the flexibility to route input signals to various outputs
- Optional I/O for AES3 on HD-15 (incl selected audio source converted to AES3 out), MADI on BNC (looped out), and SMPTE 2110 or SMPTE 2022 via SFP
- Option cards: Choose between AoIP, an additional 8 channels of analog inputs and outputs, or 2 additional SFP cages
- Measure Audio Loudness using ITU-R BS.1770 or EBU R128 standards
- Software upgradeable individually via USB or multiple units on the same network
- Browser-based interface that supports fast configuration that protects critical configurations from unauthorized alteration.
- APIs for remote management

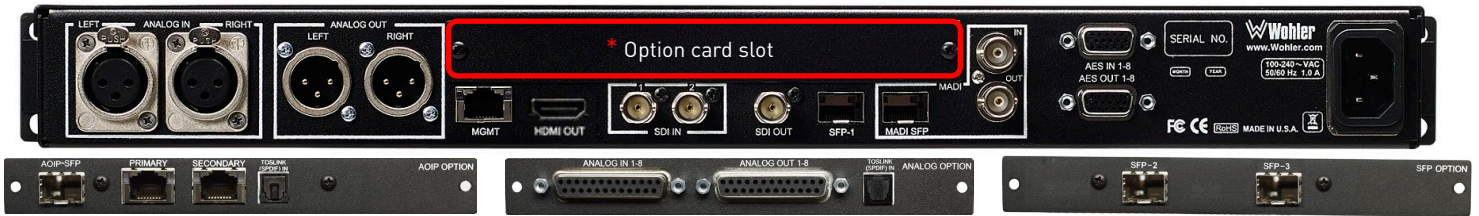
Model	Part ID	Description
iVAM 1-SUM8	8121-0120	1RU 8 channels of audio monitoring & 8 meters. Includes SDI & Analog as standard
iVAM 1-SUM16	8121-0130	1RU 16 channels of audio monitoring & 16 meters. Includes SDI & Analog as standard
<b>I/O Options</b>		
OPT-AES	829080	Enables decoding and monitoring of 4 x AES inputs, 1 AES Output
OPT-MADI	829092	Enables decoding and monitoring of 1 x MADI64 input via BNC
SFP-MM-MADI-FIBER	829081	MADI fiber transceiver, Multimode; LC Connectors
SFP-SM-MADI-FIBER	829082	MADI fiber transceiver, Single mode; LC Connectors
SFP-SDI	829089	3G/HD/SD-SDI single receiver w/ active loopback, HD-BNC
SFP-SDI-Fiber	829084	12G/HD/SD-SDI or ASI single receiver w/ active loopback, HD-BNC
SFP-2110 w/Ember+	829086	Receiver; Multi-Mode 850 NM, LC Connectors
SFP-2110 w/NMOS	829086-1	Receiver; Multi-Mode 850 NM, LC Connectors
SFP-2022-6	829088	Receiver; Multi-Mode 850 NM, LC Connectors
SFP-2110 w/Ember+ +2022-6	829087	Receiver; Multi-Mode 850 NM, LC Connectors
SFP-2110 w/NMOS+2022-6	829087-1	Receiver; Multi-Mode 850 NM, LC Connectors
OPT-OUTPUT ROUTING	829159	Enables the flexibility to route input signals to various outputs
<b>Option Cards</b>		
OPT-ANLG/TOS (iVAM & iAM-AUDIO)	829170	Enable monitoring of 8 Analog channels on DB-25. TOSLINK included.
OPT-DANTE (iVAM & iAM-AUDIO) **	829171	Enable decoding and monitoring of Dante™ or Ravenna™ input streams. ** Inc. AoIP card. Enables 2 x RJ-45 ports for 2022-7 support (for Dante, Ravenna and 2110-30) + SFP cage allowing MM and SM SFP's for AoIP Signals. TOSLINK included.
OPT-RAVENNA 64 (iVAM & iAM-AUDIO)	829172	
OPT-SFP Card (iVAM)	829179	Adds two additional 3G inputs to 3G products, or two 12G inputs to 12G products



# iVAM1-SUM Series



3G-SDI & Analog Audio and Video Monitoring & Metering with Optional Signal Upgrades  
Rear Panel & Option Cards



\*OPT-DANTE & OPT-RAVENNA

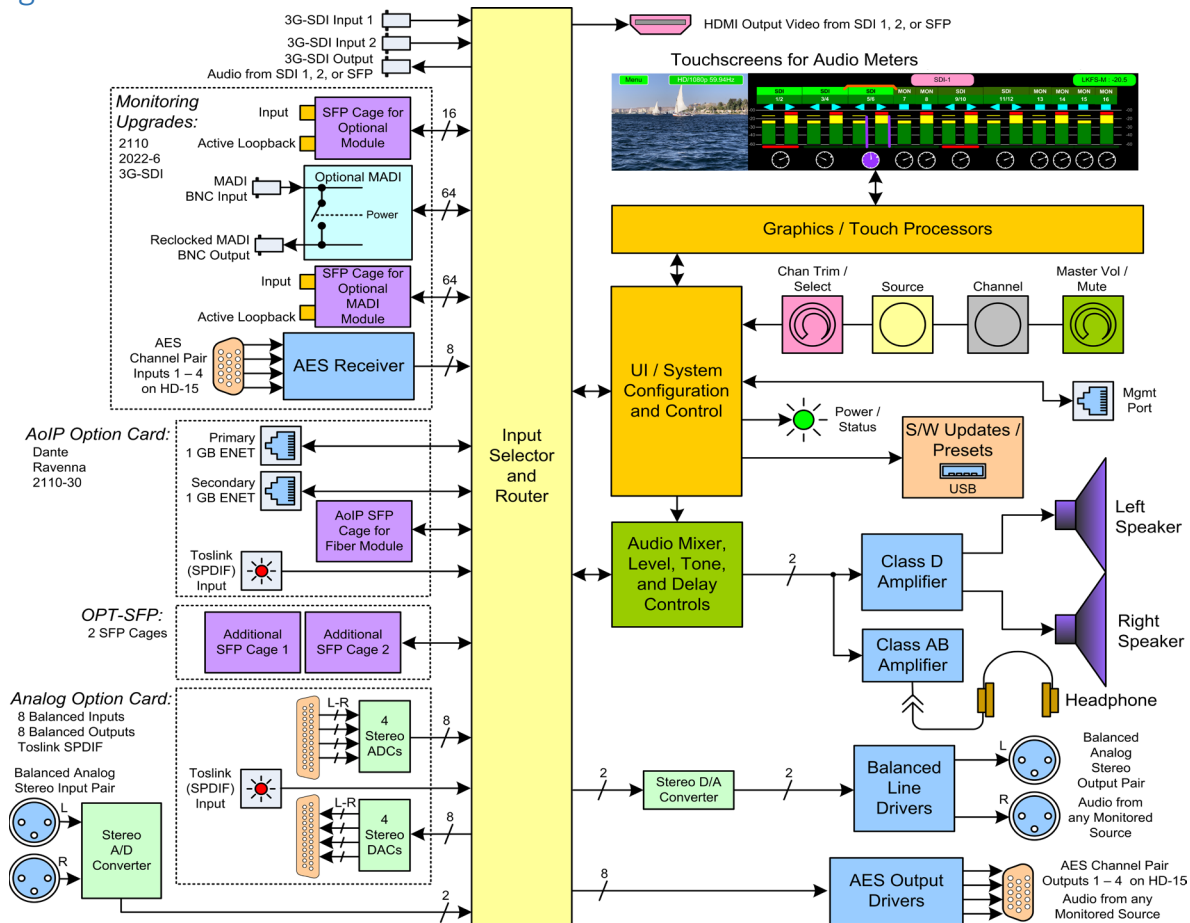
\*OPT-ANLQ/TOS (iVAM)

\*\*OPT-SFP CARD (iVAM)

\* Only 1 x AoIP card, 1 x OPT-iVAM-ANALOG or 1 x OPT-SFP Card may be fitted at one time.

\*\* Only one of either SFP 2 or SFP 3 signals may be mixed with other rear panel signals at one time.

## Block Diagram



<b>Dimensions (W x H x D)</b>	1RU in standard 19" rack: 19" x 1.75" x 5.5" (483 mm x 45 mm x 140 mm). Shipping dims: 23" x 6" x 12"
<b>Shipping Weight / Net Weight</b>	8.0 lbs. (3.6 kg) / 5.5 lbs. (2.5 kg)
<b>Power Consumption / Supply</b>	65W, 100 to 240 VAC ± 10%, 50-60 Hz, CE & UL approved
<b>Display Type / Resolution</b>	7" (178 mm) LCD Capacitive Touchscreen; 1242H x 280V. Video aspect ratio 16:9
<b>Viewing Angle</b>	160° (H) x 160° (V)
<b>Audio Channels</b>	8 or 16
<b>Hum and Noise</b>	Better than -68 dB below full output
<b>Peak Acoustic Output</b>	90 dB SPL @ 2 feet
<b>Speaker Power Output</b>	5W RMS per side, 12W Peak
<b>Upgrades</b>	Via USB or GUI web interface
<b>APIs</b>	Provide easy integration with 3 <sup>rd</sup> party control systems

Specifications subject to change, errors and omissions excepted  
All trademarks, product names and images are the property of their respective owners  
Any rights not expressly granted herein are reserved. REV: 09/08/23

Wohler Technologies, Inc.  
1280 San Luis Obispo Ave., Hayward, CA, 94544, USA  
+1 510 870 0810 | sales@wohler.com | www.wohler.com