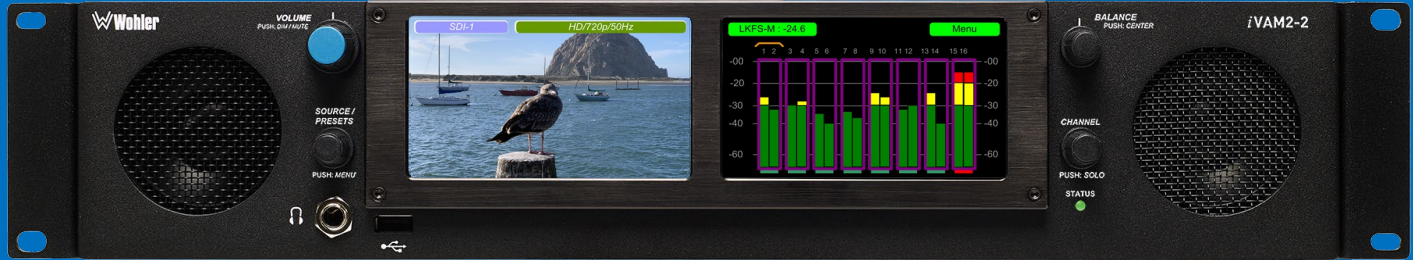


# iVAM2-2



3G-SDI & Analog Video/Audio Monitoring & Metering with Optional Signal Upgrades



16 channel, dual screen, 3G-SDI & Analog Audio & Video Monitor with optional 2022-7 support, plus options to license additional input signals.

The new iVAM2-2 is a well featured, easy to use, competitively priced 16 channel video and audio monitor which comes standard with 3G-SDI and Analog inputs and includes Loudness measurement, phase status and HDR detection. License other signal formats and processing options, including Dolby, AoIP, Toslink and 8 channel Analog, as and when needed, either initially or after purchase. With touch screen operation and two 4.3" screens, the iVAM2-2 is the perfect solution for any application that requires a compact product for simple-to-complex monitoring of an evolving range of professional signals.

### Flexible. Adaptable. Future Proof.

iVAM2-2 is designed to be easy to operate, providing fast access to video, meters, menus and presets. Options for additional signals, including AES3, MADI64, Dante™, Ravenna™, SMPTE-2110 and SMPTE-2022-7.

### Features/Benefits:

- Video and audio monitoring (up to 16 channels) from multiple sources
- Up to 64 presets
- 2 x 3G-SDI Inputs on BNC; 1 x 3G-SDI Output of selected video source on BNC + 1 pair Analog in/out on XLR
- Optional Output routing enables the flexibility to route input signals to various outputs
- Optional I/O for AES3 on HD-15 (incl selected audio source converted to AES3 out), MADI on BNC (looped out), and SMPTE 2110 or SMPTE 2022 via SFP.
- HDMI Output of the monitored video source included
- Measure Audio Loudness using ITU-R BS.1770 or EBU R128 standards
- Option cards for AoIP or an additional 8 channels of analog inputs and outputs
- Software upgradeable via USB or network
- APIs for remote management

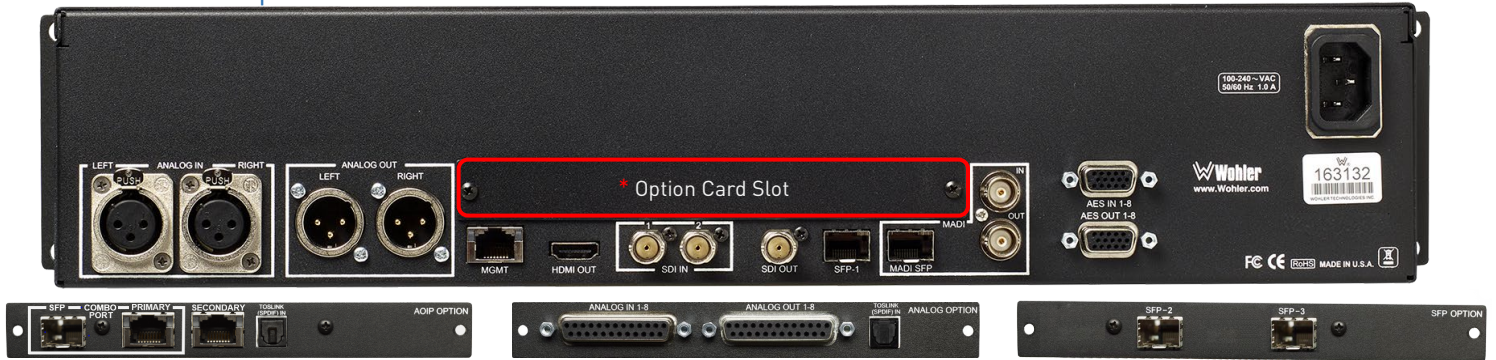
Model	Part ID	Description
iVAM2-2 (Base Unit)	8121-0200	1RU Base unit, includes SDI & Analog as standard
<b>I/O Options</b>		
OPT-AES	829080	Enables decoding and monitoring of 4 x AES inputs, 1 AES Output
OPT-MADI	829092	Enables decoding and monitoring of 1 x MADI64 input via BNC
OPT-DOLBY (iVAM)	829174	Allows decoding and monitoring of Dolby® D, DD+ & E. Includes Dolby zoom & metadata
SFP-MM-MADI-FIBER	829081	MADI fiber transceiver, Multimode; LC Connectors
SFP-SM-MADI-FIBER	829082	MADI fiber transceiver, Single mode; LC Connectors
SFP-SDI	829089	3G/HD/SD-SDI single video receiver w/ active loopback, HD-BNC
SFP-SDI-Fiber	829084	3G/HD/SD-SDI or ASI single receiver w/ active loopback, HD-BNC
SFP-2110 w/Ember+	829086	Receiver; Multi-Mode 850 NM, LC Connectors
SFP-2110 w/NMOS	829086-1	Receiver; Multi-Mode 850 NM, LC Connectors
SFP-2022	829088	Receiver; LC Connectors
SFP-2110 w/Ember+ +2022-6	829087	Either-Or; Multi-Mode 850 NM, LC Connectors
SFP-2110 w/NMOS+2022-6	829087-1	Either-Or; Multi-Mode 850 NM, LC Connectors
OPT-OUTPUT ROUTING	829159	Enables the flexibility to route input signals to various outputs
<b>Option Cards</b>		
OPT-ANLG/TOS (iVAM)	829170	Enable monitoring of 8 Analog channels on DB-25. TOSLINK included.
OPT-SFP Card (iVAM)	829179	Adds two additional 3G inputs to 3G products, or two 12G inputs to 12G products
OPT-DANTE (iVAM) <b>** Inc. AoIP Card</b>	829171	Enable decoding and monitoring of Dante™ input streams. <b>** Inc. AoIP card. Enables 2 x RJ-45 ports for 2022-7 support (for Dante, Ravenna and 2110-30) + SFP cage allowing MM and SM SFP's for AoIP Signals. TOSLINK included.</b>
OPT-RAVENNA 64 (iVAM) <b>** Inc. AoIP Card</b>	829172	Enable monitoring of up to 64 ch Ravenna™ / AES67 Input. NMOS support. TOSLINK included.



# iVAM2-2



## 3G-SDI & Analog Video/Audio Monitoring & Metering with Optional Signal Upgrades Rear Panel & Option Cards



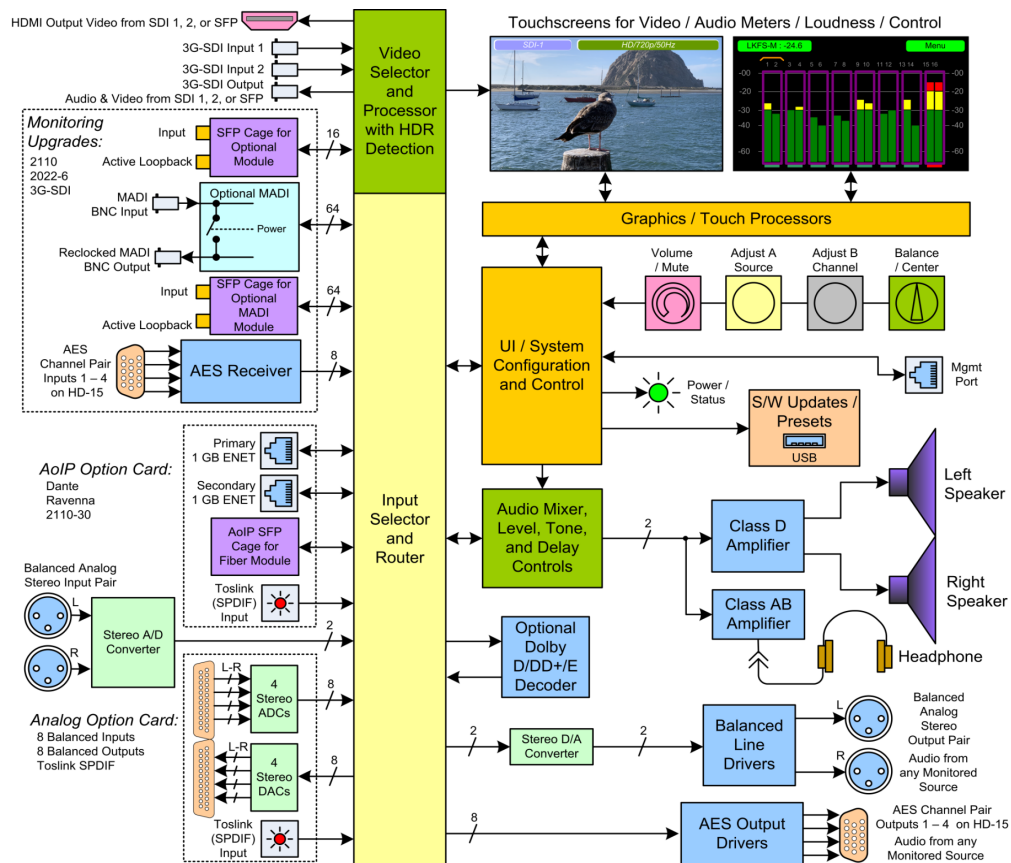
OPT-DANTE & OPT-RAVENNA

OPT-ANLG/TOS

OPT-SFP CARD

\* Only 1 x OPT-DANTE/RAVENNA, 1 x OPT-iVAM-ANALOG or 1 x OPT-SFP CARD may be fitted at one time.

### Block Diagram



Specifications	
Dimensions (W x H x D)	2RU in standard 19" rack: 19" x 3.5" x 5.5" (483 mm x 89 mm x 140 mm)
Shipping Weight / Net Weight	12.0 lbs. (5.5 kg) / 8.0 lbs. (3.6 kg)
Power Consumption / Supply	60W, 100 to 240 VAC ± 10%, 50-60 Hz, CE & UL approved
Display Type / Resolution	4.3" (109 mm) LCD Capacitive Touchscreen x 2; 480H x 272V
Viewing Angle	160 (H) x 160 (V)
Audio Channels	16 Max
Hum and Noise	Better than -75 dB below full output
Peak Acoustic Output	104 dB SPL @ 2 ft
Speaker Power Output	RMS Each Side: 15W Continuous / 30W Peak
Upgrades	Via USB or GUI web interface
APIs	Provide easy integration with 3 <sup>rd</sup> party control systems

Specifications subject to change, errors and omissions excepted  
All trademarks, product names and images are the property of their respective owners  
Any rights not expressly granted herein are reserved. REV: 6/28/2022