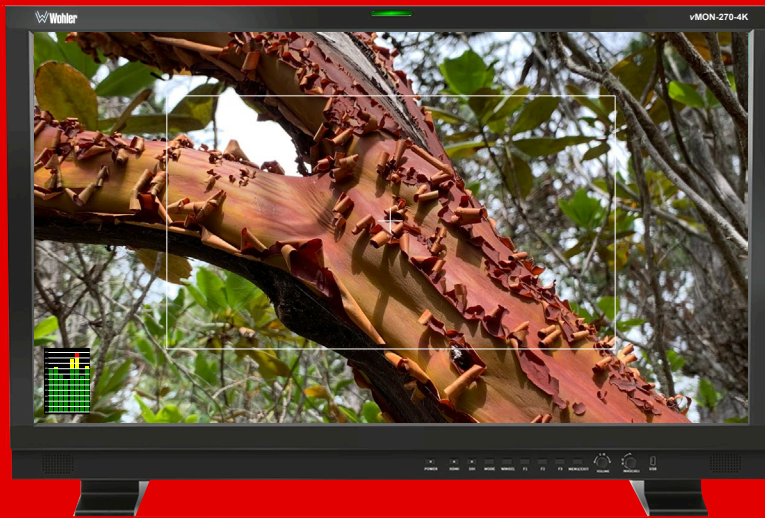
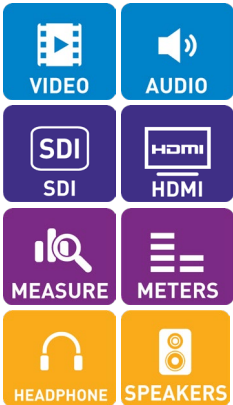


# vMON-270-4K

27" 12G/6G/3G/HD/SD-SDI, HDMI Video Monitor



Fully featured, slim and cost effective 27" free standing 4K video monitor with on-screen audio level meters, quad split, waveform, and histogram.



Order Part Number:  
vMON-270-4K 8006-0210

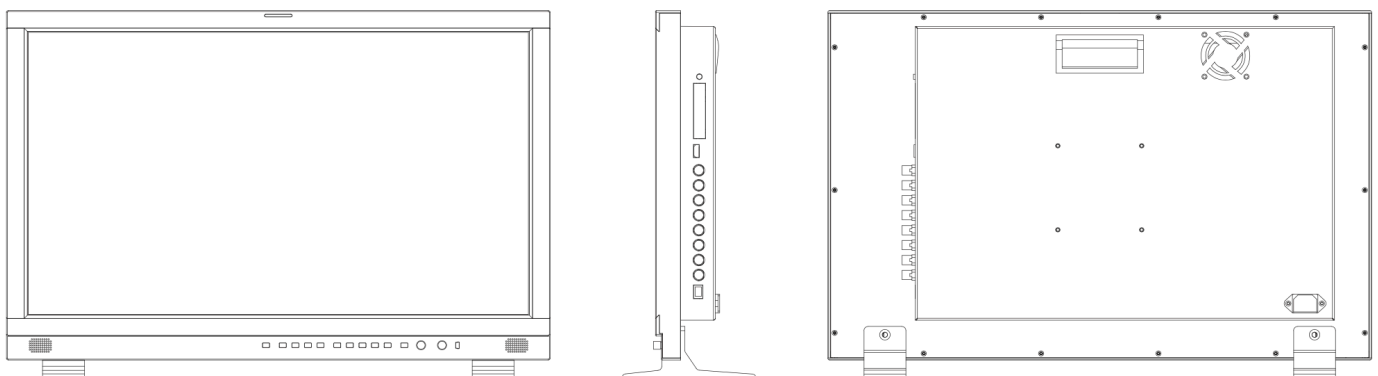
The vMON Series is a full-featured range of slim, free standing video monitors ideal for mobile trucks, news and transmission control rooms, production/post-production and video surveillance applications. These monitors come standard with in-monitor level metering, selectable video vectorscope/histogram, safe area and aspect ratio markers, IMD labeling, tally, and built-in color bars, as well as a variety of picture controls and productive video features such as zoom controls and focus assist.

The vMON-270-4K is a 27" 4K HDR monitor with 2x12G/6G/3G/HD/SD-SDI and 2x3G/HD/SD-SDI inputs and outputs. Quad-link supports up to a 4096x2160 60p signal. The 4K HDR display supports PQ(ST2084) and HLG, a cost effective 4K monitor for a variety of 4K and FHD workflows. It supports a large variety of professional broadcasting features such as Quad Split, Waveform, Histogram, Darkness Check, making vMON-270-4K a brilliant 27 inch monitor in 4K production workflow.

All standard frame rates and resolutions are supported from 12G-SDI, 6G-SDI, 3G-SDI, and HDMI input sources, and each SDI input has a looping output. Up to 16 audio channels may be selected for visual monitoring using on-screen bar graph style level meters. Monitoring speakers on the front panel allow the selected screen to be audibly monitored, while a 3.5mm headphone jack provides optional private monitoring.

The vMON-270-4K contains a vast array of Features and Benefits as listed in the table on the following page.

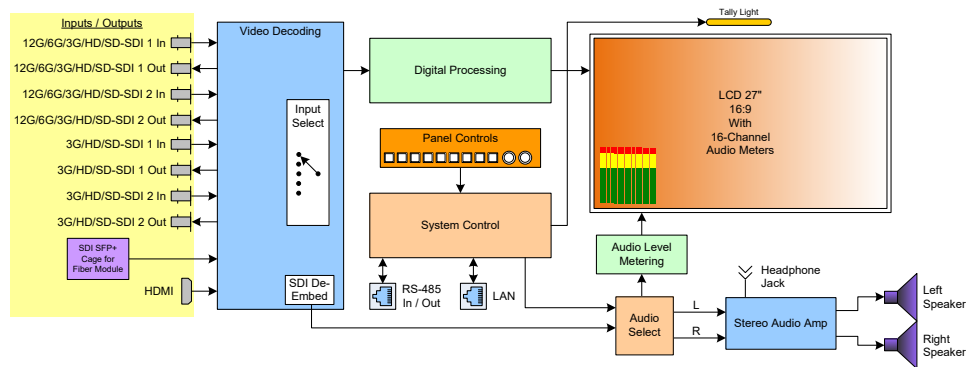
## Enclosure



# MON-270-4K

27" 12G/6G/3G/HD/SD-SDI, HDMI Video Monitor

## Block Diagram



## Specifications

Specifications	
<b>Video Inputs:</b>	2 x BNC 12G/6G/3G/HD/SD-SDI, 2 x BNC 3G/HD/SD-SDI, 1 x HDMI 2.0, 1 x SDI SFP+ input cage for optical module
<b>Video Outputs</b>	2 x BNC looped 12G/6G/3G/HD/SD-SDI, 2 x BNC looped 3G/HD/SD-SDI
<b>Audio Outputs</b>	1 x 3.5mm stereo headset jack
<b>Screen Size / Display Area</b>	27" diagonal per screen / 597.7mm (H) x 336.3 mm (V)
<b>Backlight</b>	LED
<b>Video Display Resolution</b>	3840(H) x 2160(V) 4K
<b>Luminance</b>	400 cd/m <sup>2</sup>
<b>Contrast</b>	2000:1
<b>Color Depth</b>	1.07 billion
<b>OSD Audio Meters</b>	2-16 channels for each display window (source dependent)
<b>Features/Benefits</b>	<ul style="list-style-type: none"> <li>- 3840 x 2160 4K resolution</li> <li>- 12 Bit Video Processing, no image delay</li> <li>- 12G/6G/3G/HD/SD-SDI auto detect</li> <li>- 4K 12G-SDI single link signal, up to 4096 x 2160 60p</li> <li>- 4K signal: 2 Sample Interleave (2SI), Square Division (SQD)</li> <li>- 1 x HDMI 2.0 input, 1 x SDI SFP+ module optical input cage</li> <li>- 4K Mode, Quad-Split Mode, FHD single picture mode</li> <li>- 4 x SDI/HDMI Quad-View: mixed inputs &amp; frequency rates</li> <li>- Free Quad-View (border control/window adjustment)</li> <li>- Payload ID display</li> <li>- Color Space &amp; EOTF Curves Auto Sensing, matching(REC709/REC2020)</li> <li>- Color Space (REC709/EBU/DCI-P3 D65/DCI-P3/REC2020/Bypass)</li> <li>- HDR: PQ (ST2084), HLG (1.0, 1.1, 1.2, 1.3, 1.4, 1.5)</li> <li>- Sony Camera Log Curves: Slog, Slog2, Slog3</li> <li>- Canon Camera Log Curves: Clog, Clog2, Clog3</li> <li>- ARRI Camera Log Curves: LogC</li> <li>- Panasonic Camera Log Curves: Vlog, Vlog (softroll)</li> <li>- Gamma (2.0, 2.2, 2.4, 2.6), HDR Area Display</li> <li>- 4K HDR Waveform, Vector Scope, Marker/Box Control Function</li> <li>- 3D LUT Color calibration with ColourSpace &amp; CalMAN</li> <li>- 3<sup>rd</sup> party 3D LUT files import (USER1/USER2)</li> <li>- S1 - S8 Eight Selectable Scene Settings</li> <li>- Picture Flip, Focus Assist, False Color, Zebra</li> <li>- SDR and HDR comparison, Darkness Check</li> <li>- Full Scan, Over Scan, Blue/Mono Only</li> <li>- 16 ch Embedded Audio Level Meters</li> <li>- Dynamic and Static UMD/IMD Display (TSL3.1/4.0/5.0)</li> <li>- 608/708 CC Closed Caption</li> <li>- Key Lock, Video Freeze</li> <li>- Firmware upgrade/LUT file import via USB/Ethernet</li> <li>- GPI (selectable/markable windows)</li> <li>- Aluminum Alloy Casing, Built-in Speakers</li> </ul>
<b>Power Requirements</b>	100 – 240 VAC or 12 VDC; 63W
<b>Dimensions (W x H x D), Weight</b>	26.3" x 17.4" x 6.3" (649mm x 441mm x 160mm); 25.8 lbs (11.7 kgs)

Specifications subject to change, errors and omissions excepted  
 All trademarks, product names and images are the property of their respective owners  
 Any rights not expressly granted herein are reserved.

Wohler Technologies, Inc.  
 1280 San Luis Obispo Ave., Hayward, CA, 94544, USA  
 +1 510 870 0810 | sales@wohler.com | www.wohler.com